

Left Hand Thread Nut

Thread Type: Metric Coarse - Left Hand Thread

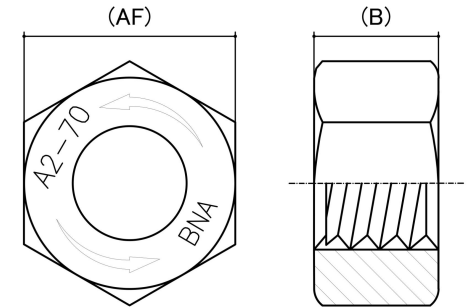
Thread Direction: Left Hand

Material: Stainless Steel

Class Grade: A2-70 G304

Corrosion Protection Level: Excellent

Standard: DIN 934



*CAD drawings shown for graphic representation only.**

Size	Thread Pitch (mm)	Thread Type	Overall Nut Height (B) (mm)		Across Flats (AF) (mm)		Spanner Size (AF) (mm)	sku (qfind)
			Min	Max	Min	Max		
M4	0.70	Left Hand Thread	2.90	3.30	6.78	7.00	7	41SLH4
M5	0.80	Left Hand Thread	3.70	4.00	7.78	8.00	8	41SLH5
M6	1.00	Left Hand Thread	4.70	5.00	9.78	10.00	10	41SLH6
M8	1.25	Left Hand Thread	6.14	6.50	12.73	13.00	13	41SLH8
M10	1.50	Left Hand Thread	7.64	8.00	16.73	17.00	17	41SLH10
M12	1.75	Left Hand Thread	9.64	10.00	18.67	19.00	19	41SLH12
M16	2.00	Left Hand Thread	12.30	13.00	23.67	24.00	24	41SLH16
M20	2.50	Left Hand Thread	14.90	16.00	29.16	30.00	30	41SLH20
M24	3.00	Left Hand Thread	17.70	19.00	35.16	36.00	36	41SLH24

Disclaimer:

Dimensional data and technical information was obtained from publicly available sources and not acquired through standard agencies. It has been completed and compiled for reference purposes only; where discrepancies are found they are subject to change without notice. Bolt & Nut Australia makes no warranties or representations regarding the accuracy and validity of the compiled information and data. Contact the relevant standard authorities for accurate and detailed information.

* CAD drawings may not reflect diameter, thread length or overall length.

© Bolt & Nut Australia Pty Ltd. All rights reserved.

Version: 18 Mar 2024